

DEFENDER SERIES

ENGLISH

DEUTSCH

FRANCAIS

ESPAÑOL

POLSKI

ITALIANO

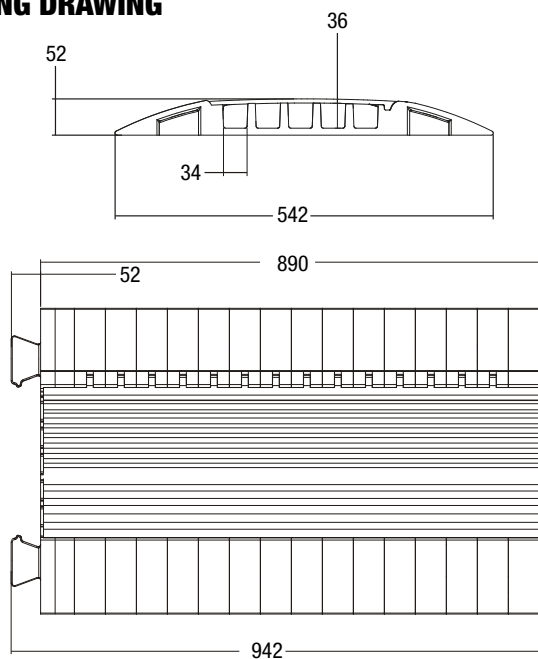
DEFENDER MIDI

The Defender Midi was developed as a solution for applications between the Defender Compact and Defender III. This cable crossover features five cable channels, moulded connectors and a lower height and lighter weight than the Defender III. The load bearing capacity is similar to that of the Defender III!

MIDI	890 x 542 x 54 mm	Weight: 11.5 Kg
Safe load: ca. 5t on a surface area of 20 x 20 cm. Generally, any street-legal vehicle can drive over this crossover.		
Range of application: As with MINI, but also construction sites, streets, etc.		



ENGINEERING DRAWING



Accessories:



DEFENDER MIDI 45° curve



DEFENDER MIDI End ramp